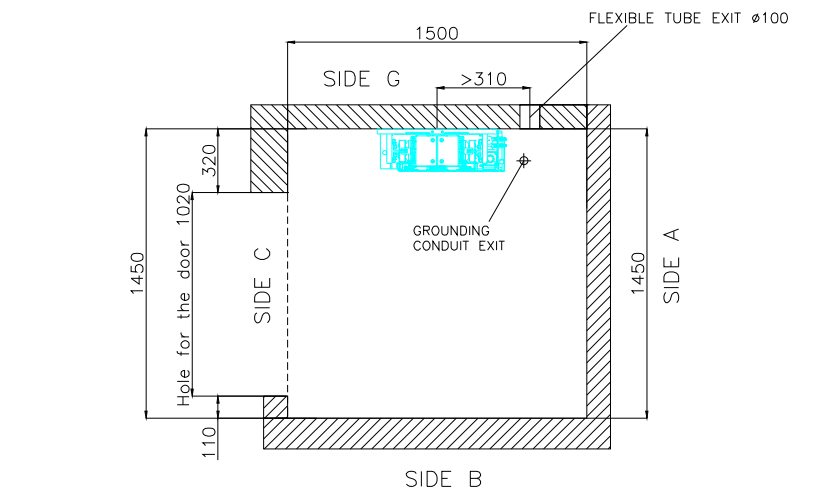


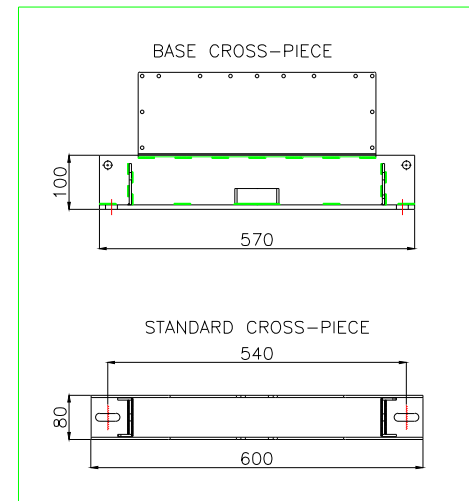
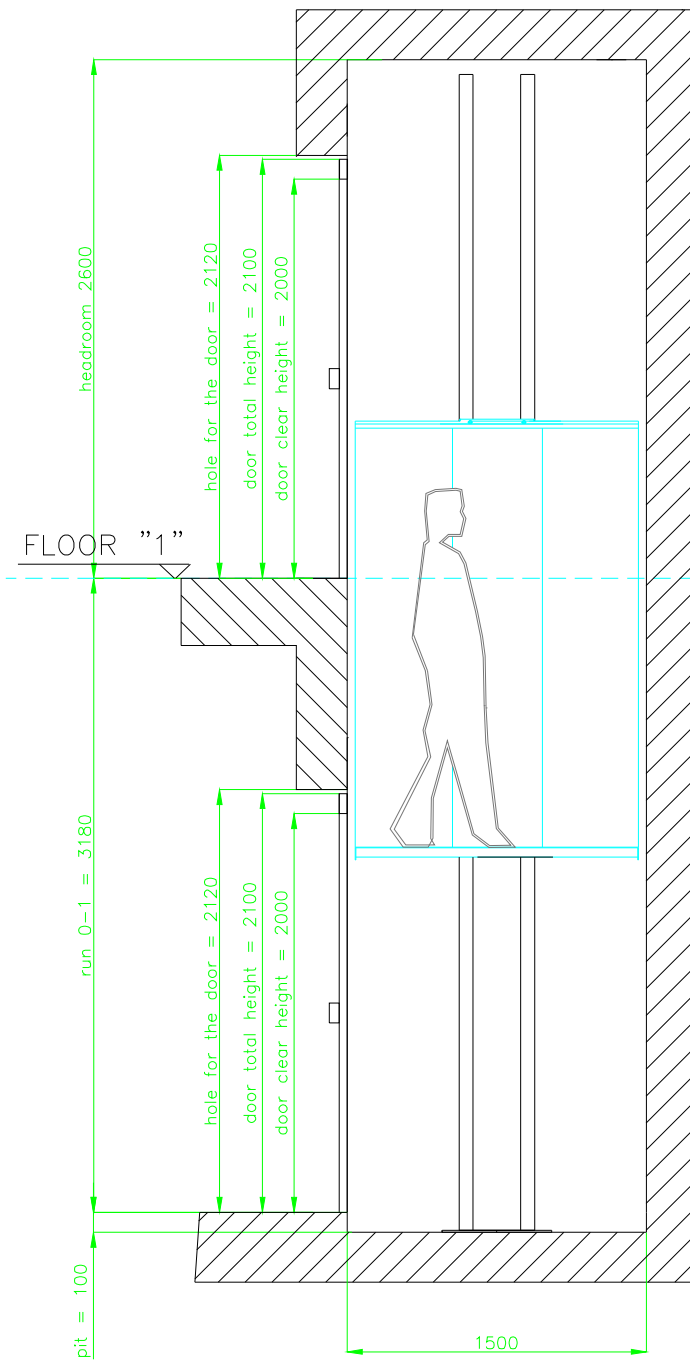
FLOORS "0, 1"

SIDE C
 floor 0 - LX
 floor 1 - RX

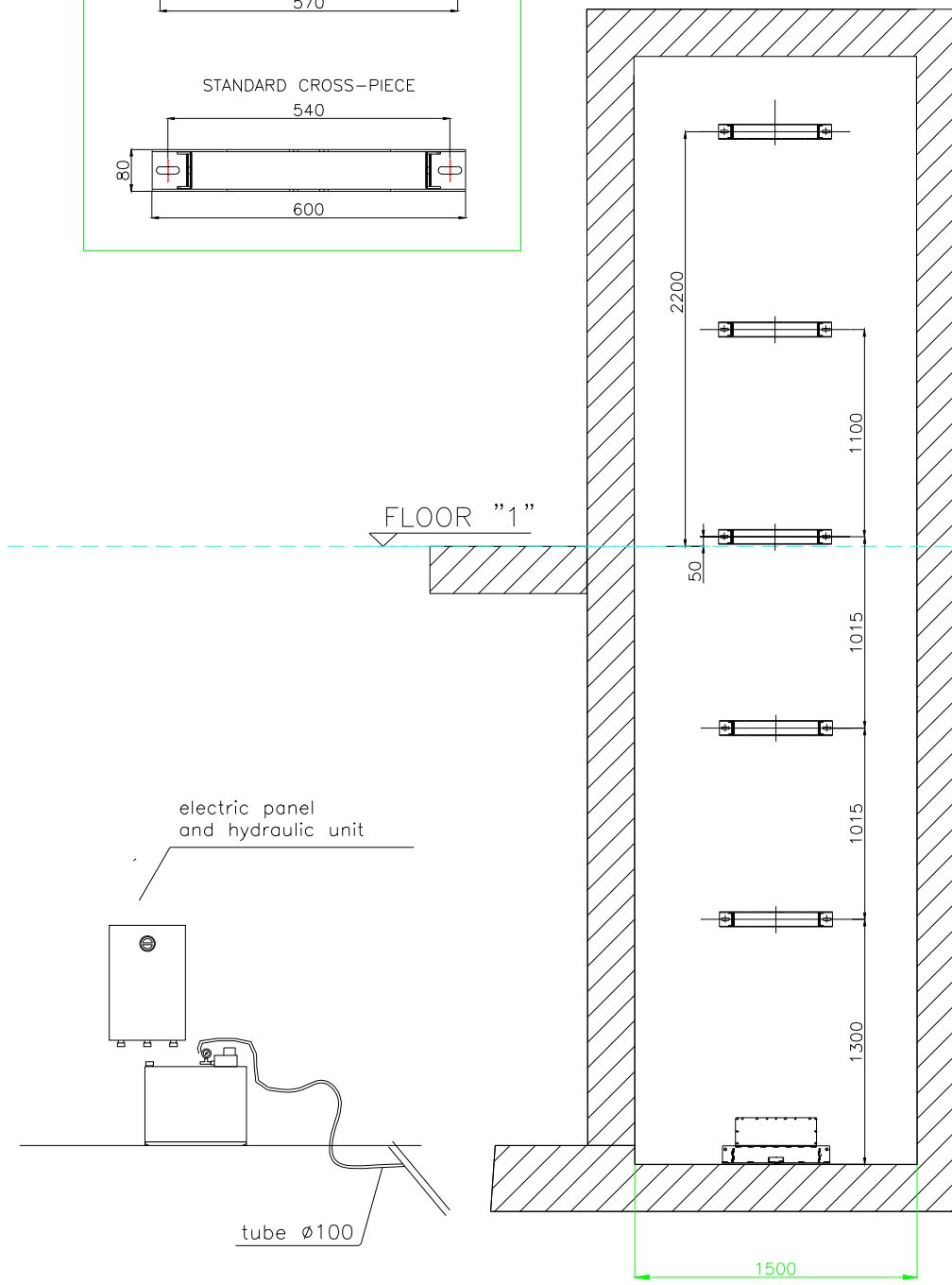
small window door
 800 x 2000 M100/100
 manual opening



SECTION B-B



SECTION A-A



NOTE: THE PATH OF THE CANALISATION MUST BE AS LINEAR AS POSSIBLE (AVOID CURVES WITH BENDING RADIUS OF LESS THAN 20 cm)

| | | | | | | |
|--|--|--|--|--|--|------------------|
| | | | | GENERAL TOLLERANCES For measurements without tolerance refer to: UNI - ISO 2768-mk | NOTE • | OVERALL • |
| | | | | | MATERIAL • | DESIGNED BY T.B. |
| | | | | | TREATMENT • | DATE 30.06.10 |
| | | | | | APPROV. • | VERIFY • |
| | | | | | DESCRIPTION 3001707 ORXL on 09100921 | |
| | | | | | SHEET 1 OF 1 | DIS. N° |
| | | | | | SCALE | REV. 1 |



Il presente disegno è di proprietà di
 THYSENKRUPP CECCO s.r.l. e non
 può essere riprodotto senza
 autorizzazione scritta